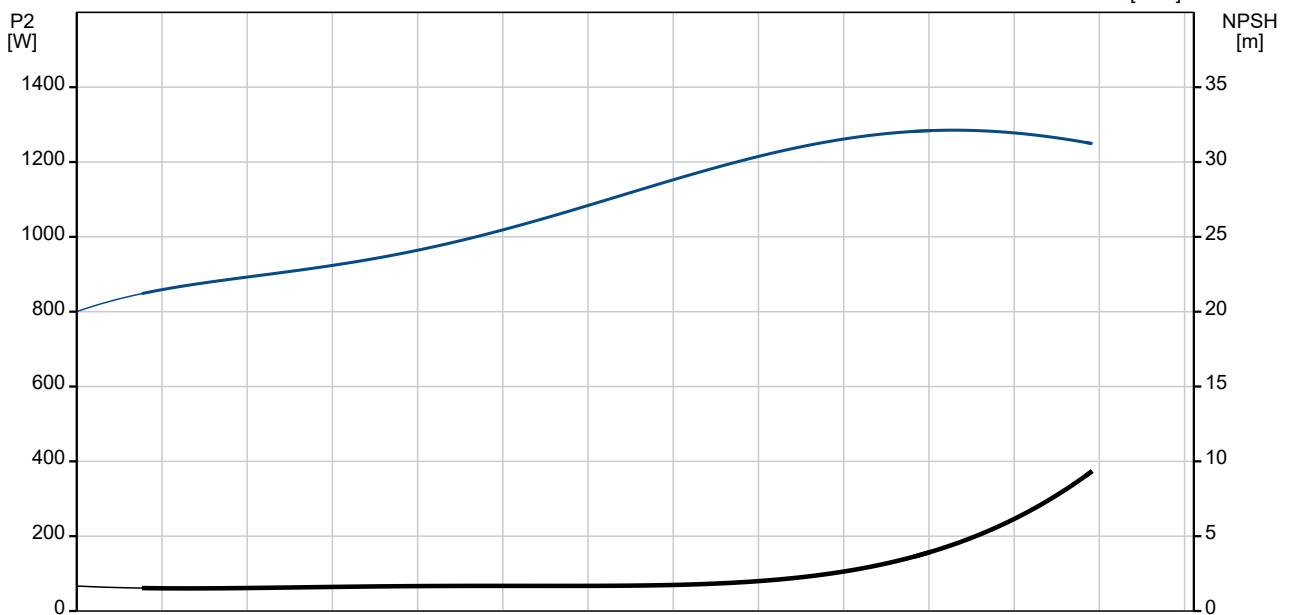
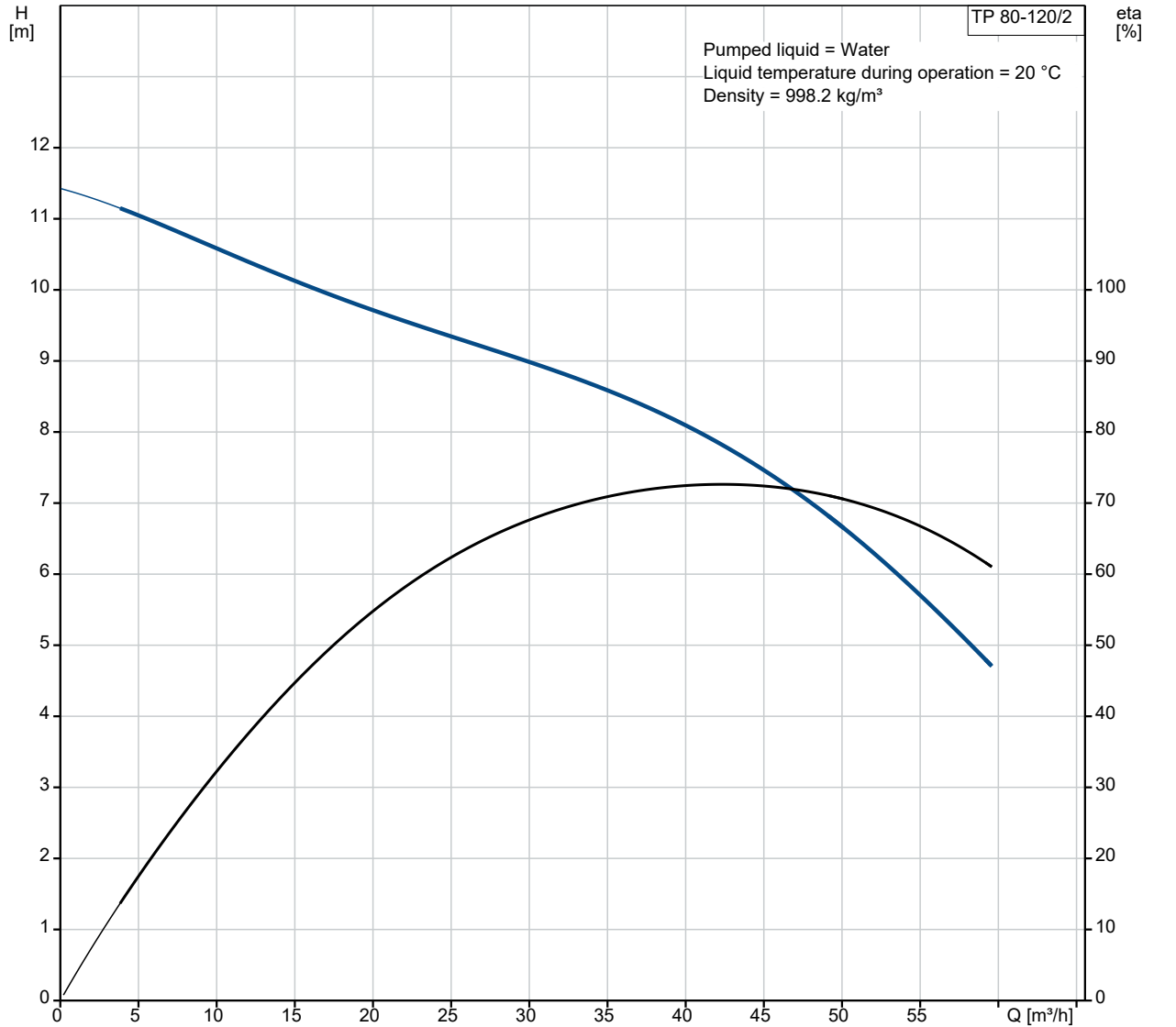
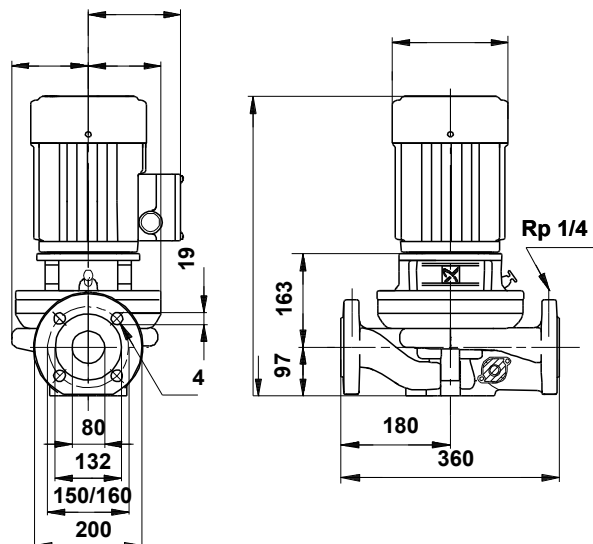
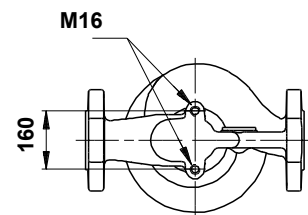
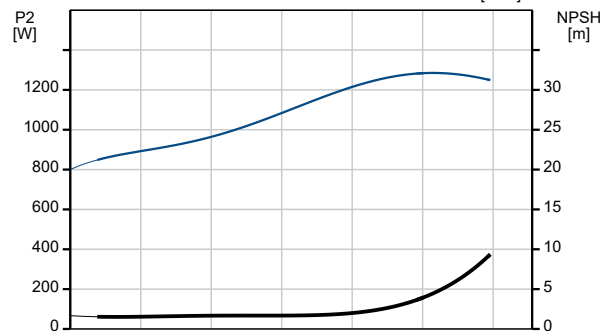
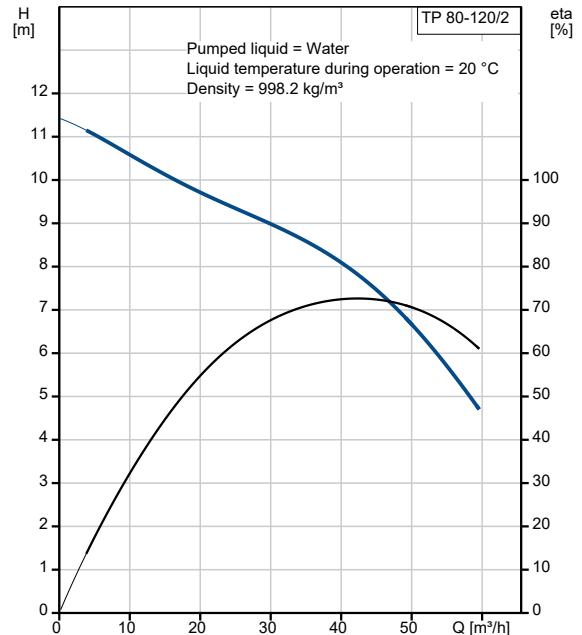


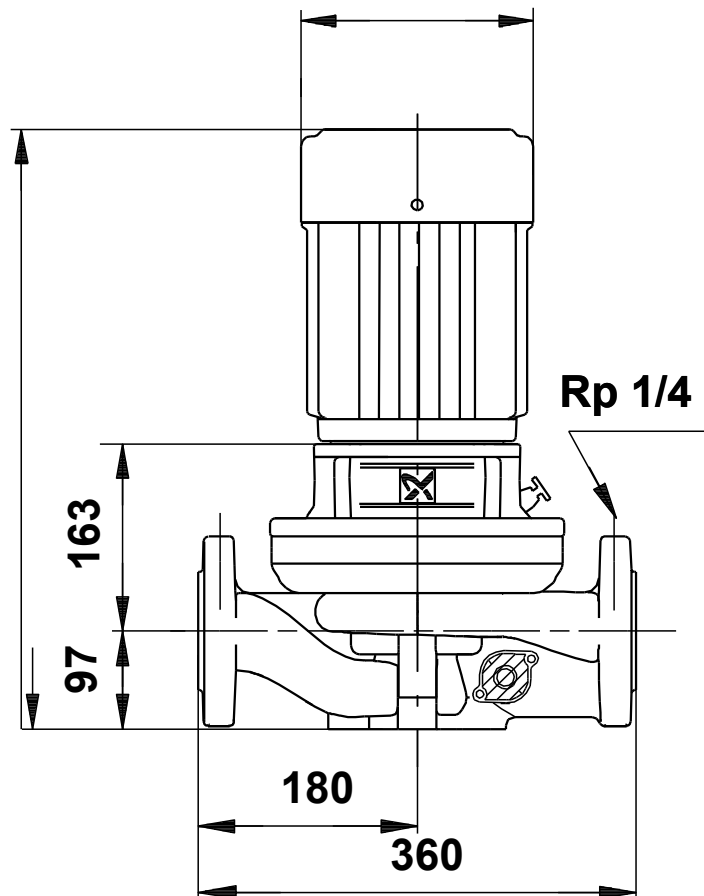
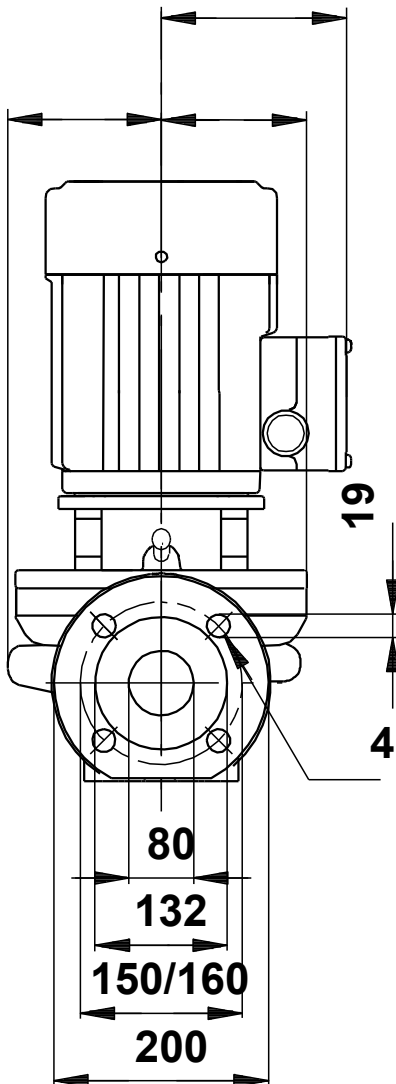
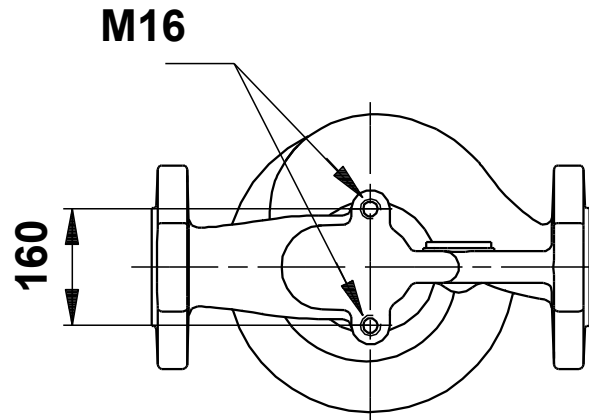
## 96405347 TP 80-120/2 AI-F-A-BUBE 50 Hz



| Description                              | Value                      |
|--|----------------------------|
| <b>General information:</b>              |                            |
| Product name:                            | TP 80-120/2<br>AI-F-A-BUBE |
| Product No:                              | 96405347                   |
| EAN number:                              | 5700390750695              |
| <b>Technical:</b>                        |                            |
| Pump speed on which pump data are based: | 2910 rpm                   |
| Rated flow:                              | 40 m <sup>3</sup> /h       |
| Rated head:                              | 8.3 m                      |
| Maximum head:                            | 120 dm                     |
| Code for shaft seal:                     | BUBE                       |
| Pump version:                            | AI                         |
| <b>Materials:</b>                        |                            |
| Pump housing:                            | Cast iron                  |
| Pump housing:                            | EN-JL1040                  |
| Pump housing:                            | A48-40 B                   |
| Impeller:                                | Stainless steel            |
| Impeller:                                | 1.4301                     |
| Impeller:                                | 304                        |
| Material code:                           | A                          |
| <b>Installation:</b>                     |                            |
| Maximum operating pressure:              | 6 bar                      |
| Type of connection:                      | DIN                        |
| Size of connection:                      | DN 80                      |
| Pressure rating for connection:          | PN 6                       |
| Port-to-port length:                     | 360 mm                     |
| Connect code:                            | F                          |
| <b>Liquid:</b>                           |                            |
| Pumped liquid:                           | Water                      |
| Liquid temperature range:                | 0 .. 140 °C                |
| Selected liquid temperature:             | 20 °C                      |
| Density:                                 | 998.2 kg/m <sup>3</sup>    |
| <b>Electrical data:</b>                  |                            |
| Rated power - P2:                        | 1.5 kW                     |
| Number of poles:                         | 2                          |
| <b>Others:</b>                           |                            |
| Sales region:                            | GB                         |



**96405347 TP 80-120/2 AI-F-A-BUBE 50 Hz**



Note! All units are in [mm] unless others are stated.  
Disclaimer: This simplified dimensional drawing does not show all details.